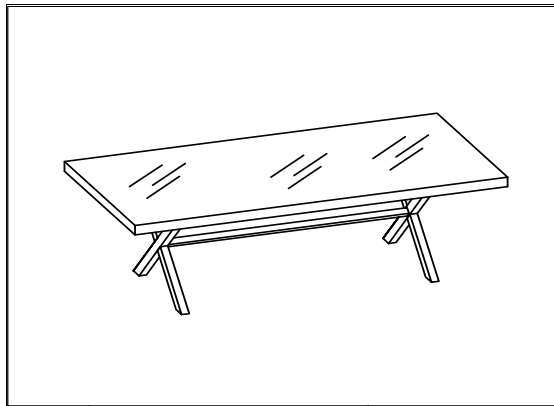

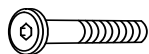



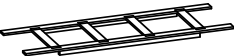
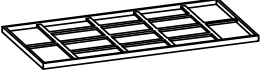



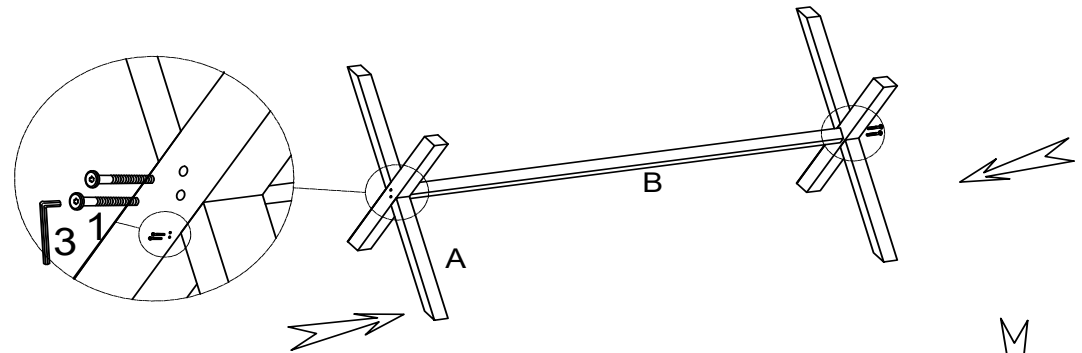
SKANDEN

Item number : 552461
Hvaler Dining Table

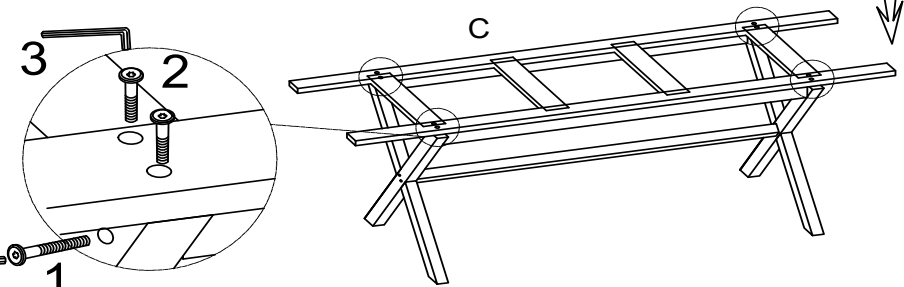


1	M8x60 	8 pcs
2	M8x40 	20 pcs
3		1 pc
A		2 pcs
B		1 pc
C		1 pc
D		1 pc
E		1 pc

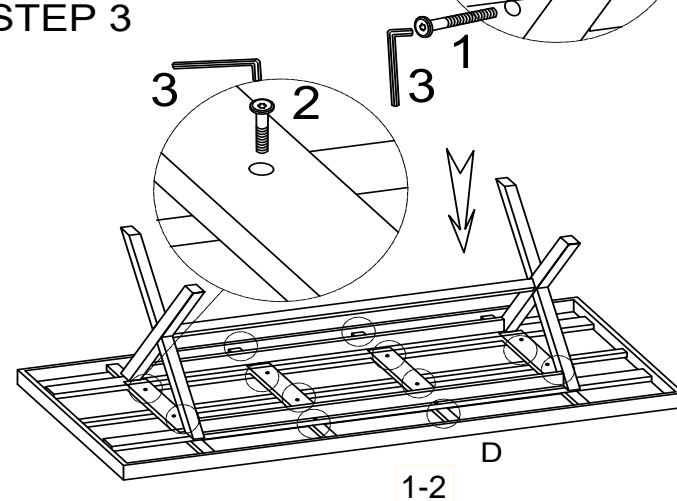
STEP 1



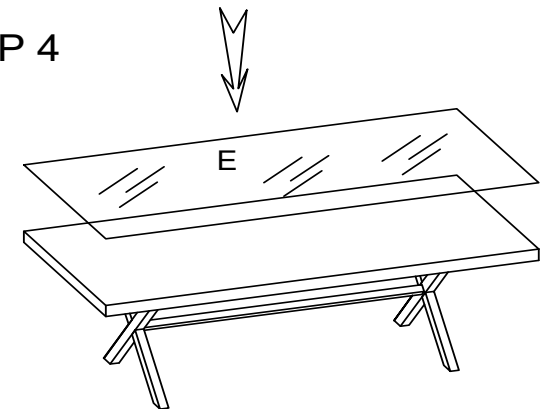
STEP 2



STEP 3



STEP 4



SKANDEN

Item number : 552461

Hvaler Dining Table

Steel/aluminium:

Daily exposure to intense ultraviolet radiation from sunlight will deteriorate the metal finish over time.

Use a furniture cover of good quality to extend the life of your furniture.

During winter time, the best is to store in a dry and well-ventilated place.

Wash your furniture with a mix of mild soap and water, rinse off and dry thoroughly.

Apply a fine, clear automobile wax for maximum protection against harmful ultraviolet exposure and salty air.

Do not use corrosive chemicals when cleaning

Plastic rattan:

Daily exposure to intense ultraviolet radiation from sunlight will deteriorate the rattan material over time.

Use a furniture cover of good quality to extend the life of your furniture.

During winter time, the best is to store in a dry and well-ventilated place.

Wash your furniture with a mix of mild soap and water, rinse off and let it dry thoroughly.

Acacia:

Daily exposure to intense ultraviolet radiation from sunlight will deteriorate the wood material over time.

Use a furniture cover of good quality to extend the life of your furniture.

During winter time, the best is to store in a dry and well-ventilated place.

Clean with damp, soft cloth and soap that does not contain detergents.