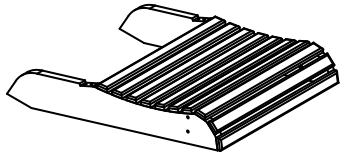
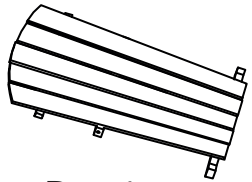


Item number: 552459
Hemsedal Chair w/ Otoman

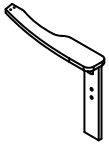
PLANTAGEN®



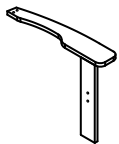
A = 1 pc



B = 1 pc



C = 1 pc



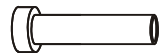
D = 1 pc



E = 8 pcs
Bolt M6x30 mm



F = 4 pcs
Bolt M6x15 mm



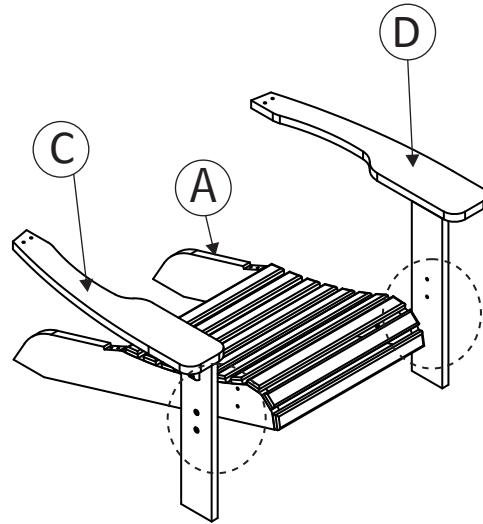
G = 4 pcs
Nuts M6x30 mm



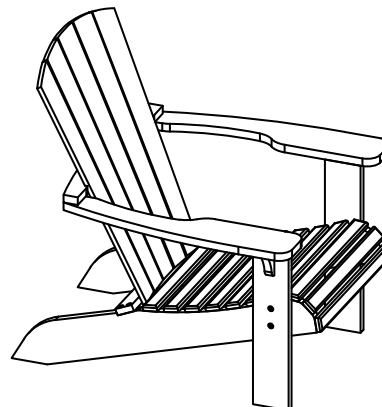
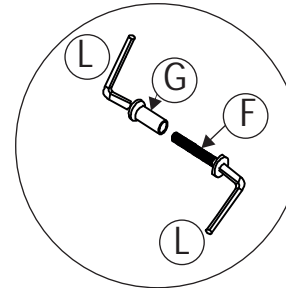
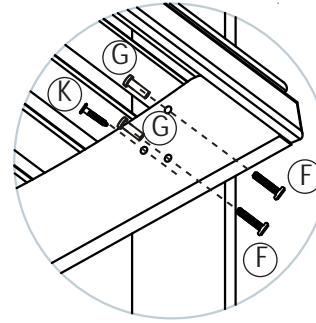
K = 2 pcs
Crews M6x35 mm



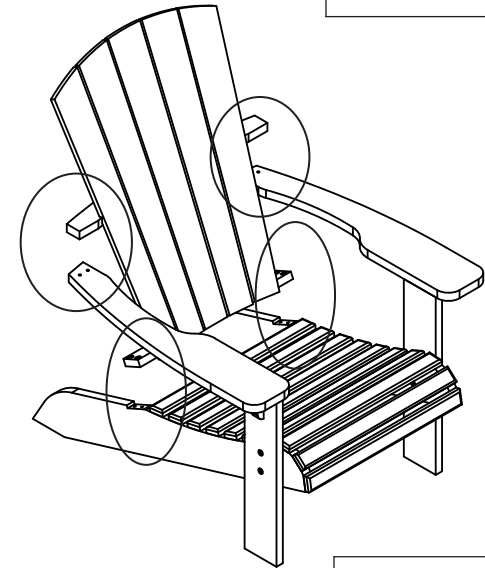
L = 2 pcs
Allen Key 4



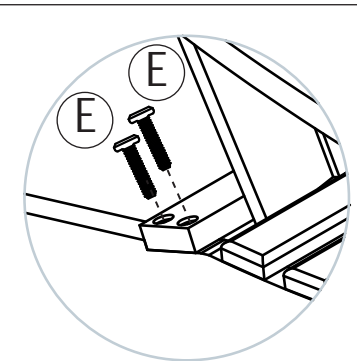
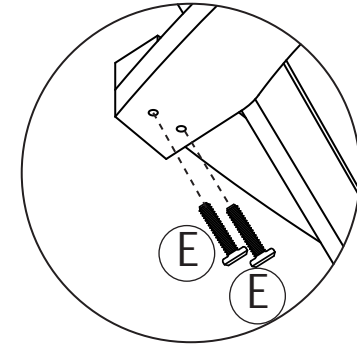
Step 1



Step 3

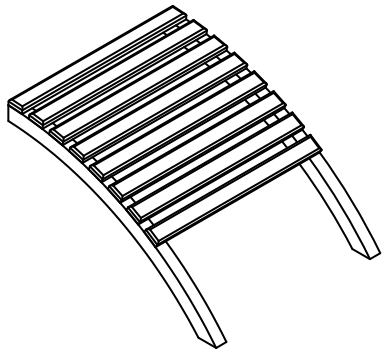


Step 2

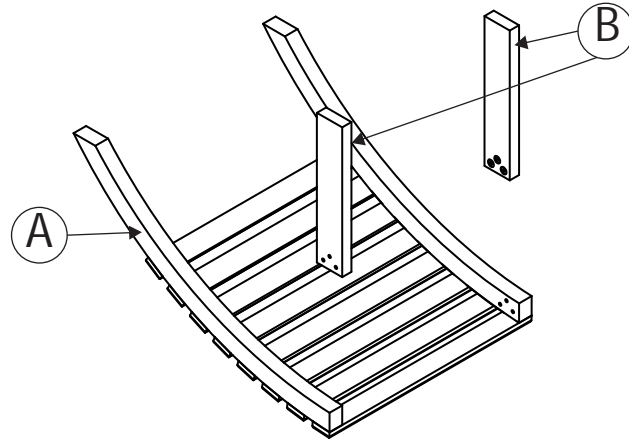


Item number: 552459
Hemsedal Chair w/ Otoman

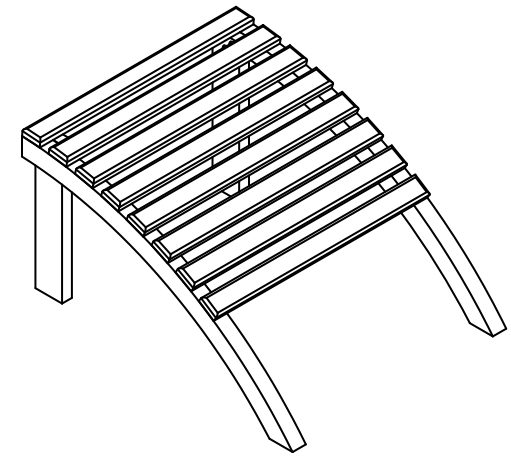
PLANTAGEN®



A = 1 pc



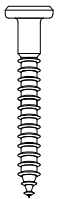
Step 1



Step 3



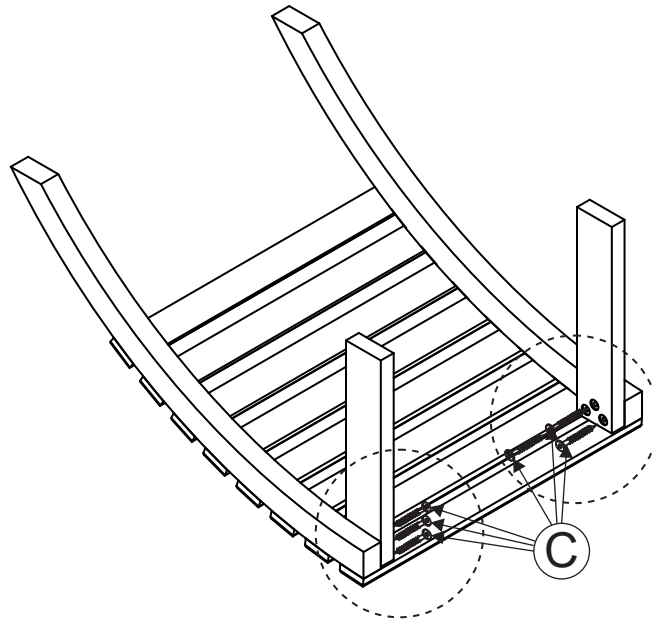
B = 2 pcs



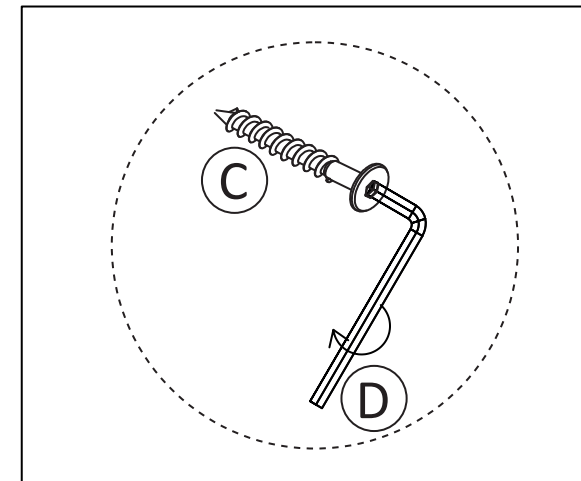
C = 6 pcs
Crews M6x35 mm



D = 1 pc
Allen Key 4



Step 2



Item number: 552459
Hemsedal Chair w/ Otoman

PLANTAGEN®

Material: Acacia

Daily exposure to intense ultraviolet radiation from sunlight will deteriorate the wood material over time.

Use a furniture cover of good quality to extend the life of your furniture.

During winter time, the best is to store in a dry and well-ventilated place.

Clean with damp, soft cloth and soap that does not contain detergents.