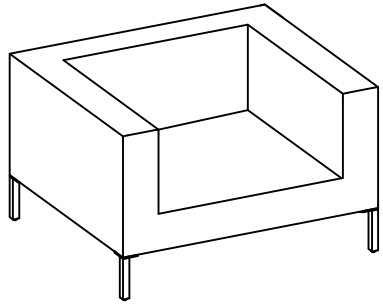


DESCRIPTION








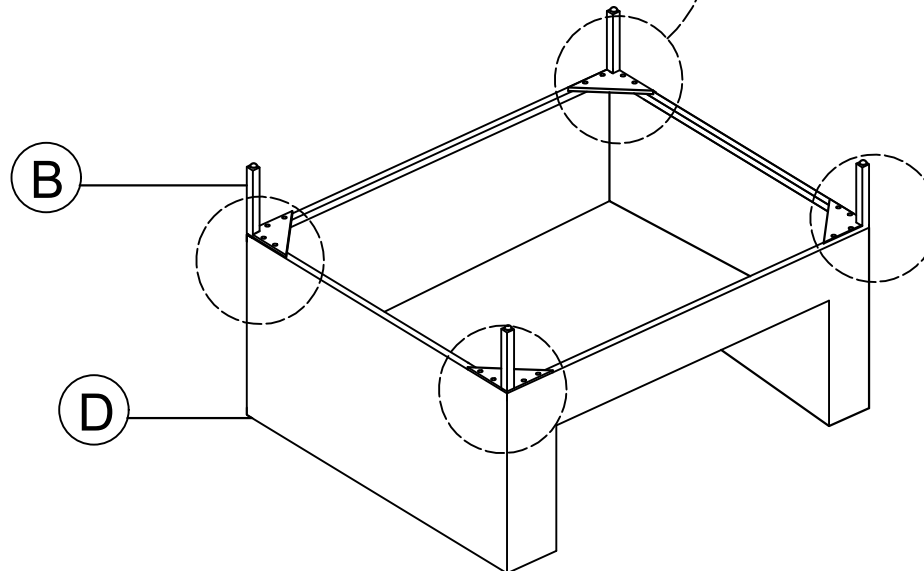
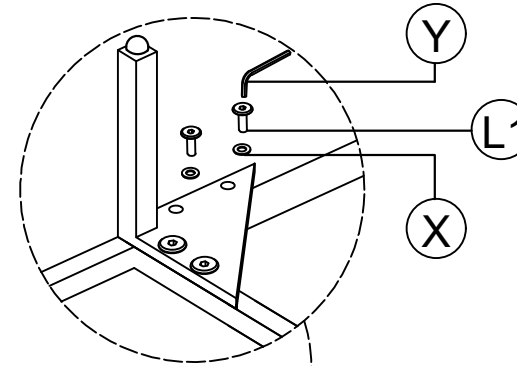
PLANTAGEN®

Holmen lounge chair

Step 1: Assembly the legs

HARDWARE

No.	Item	Detail	Quantity
1	X		x16
2	Y		x1
3	L1	 M6x20mm	x16
4	D		x1
5	B		x6



IMPORTANT NOTE:

Do not tighten screws/bolts, until all completely assembled.

Thank you.