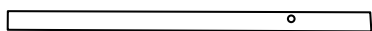


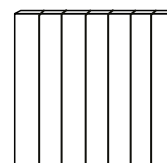
Parts

A



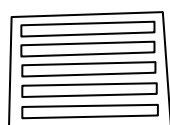
X 4 pcs

B



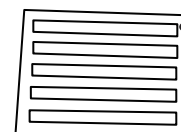
X 1 pc

C



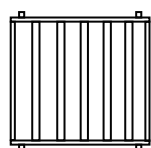
X 1 pc

D



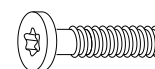
X 1 pc

E



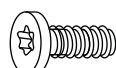
X 1 pc

F



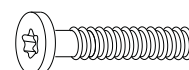
M6×35
X 1 pcs

G



M6×25
X 16 pcs

H



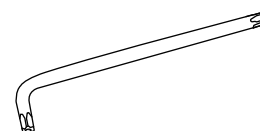
M6×80
X 4 pcs

I



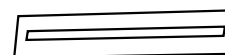
X 21 pcs

J

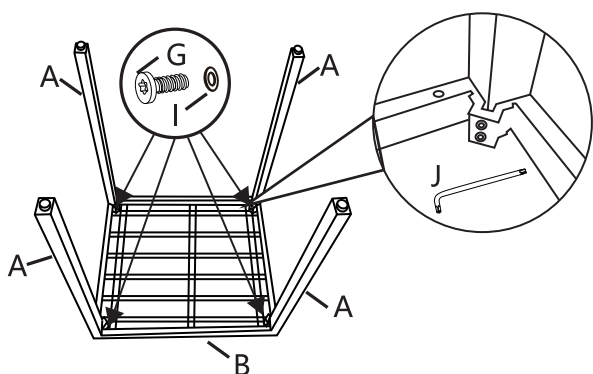


X 1 pc

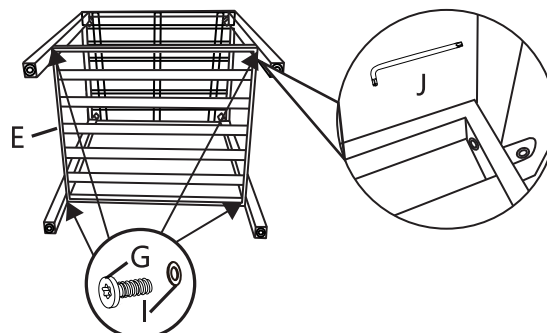
K



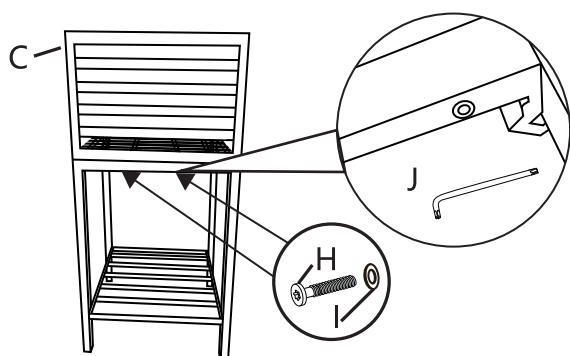
X 1 pc



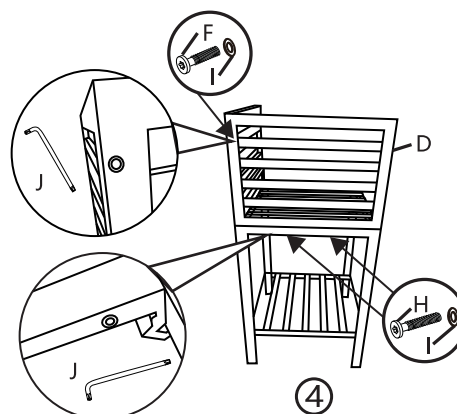
Step1



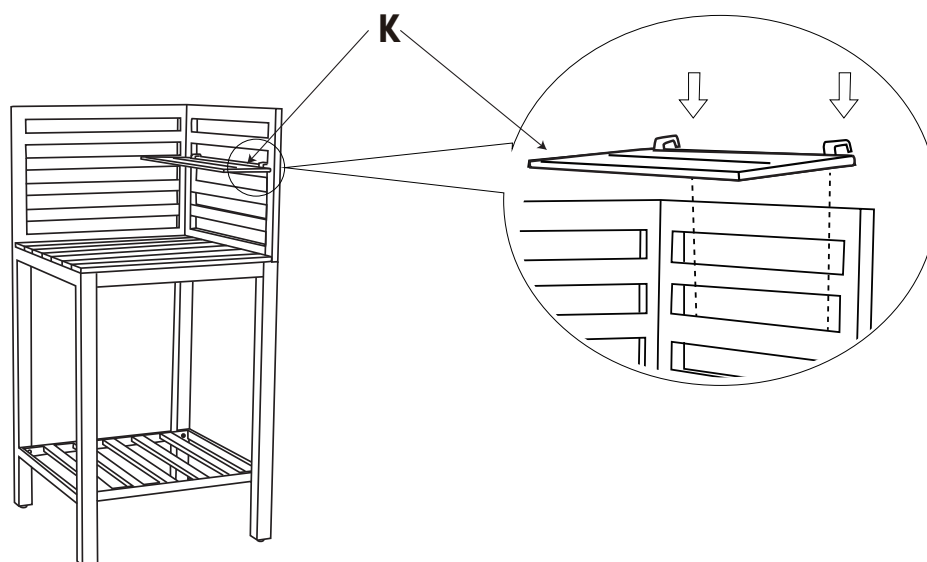
Step2



Step3



Step4



Step5