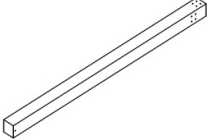


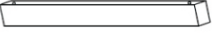



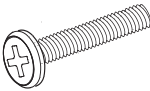
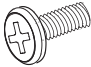
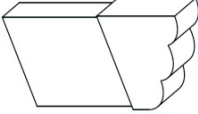

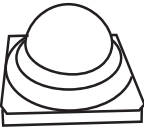
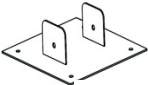
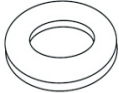
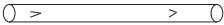
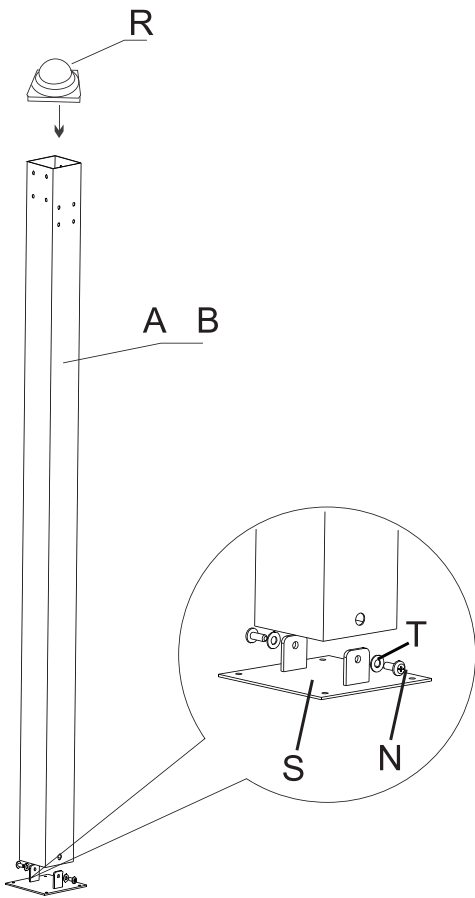
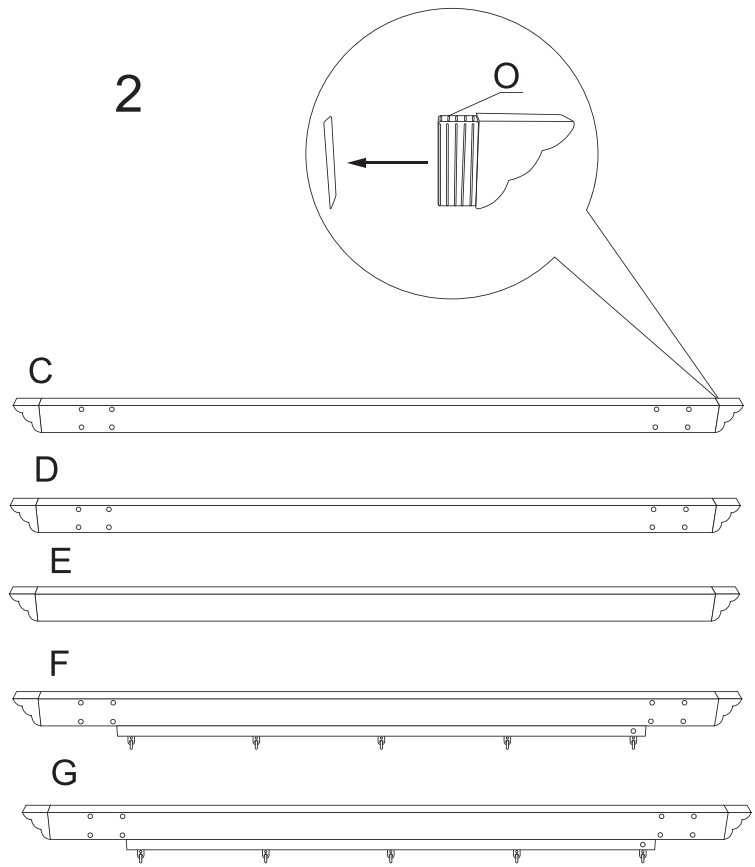
 <p>A = 2x</p>	 <p>B = 2x</p>	 <p>C = 1x</p>	 <p>D = 1x</p>
 <p>E = 2x</p>	 <p>F = 2x</p>	 <p>G = 1x</p>	<p>M6 x 70 mm</p>  <p>H = 6x</p>
<p>M6 x 45 mm</p>  <p>L = 32x</p>	<p>M6 x 12 mm</p>  <p>N = 8x</p>	 <p>O = 14x</p>	 <p>P = 1x</p>
 <p>R = 4x</p>	 <p>S = 4x</p>	<p>∅ = 6 mm</p>  <p>T = 46x</p>	 <p>I = 6x</p>

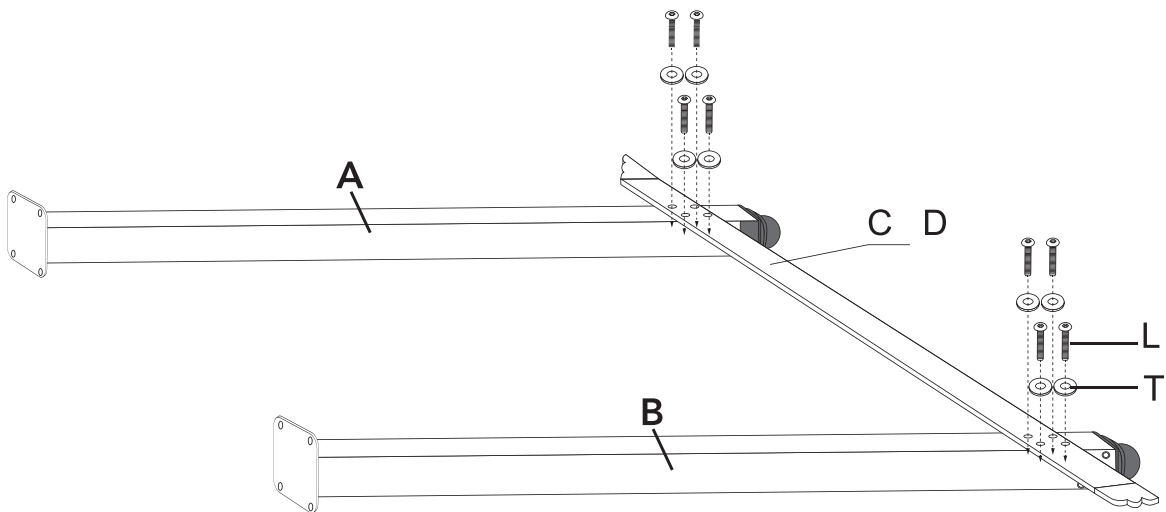
1



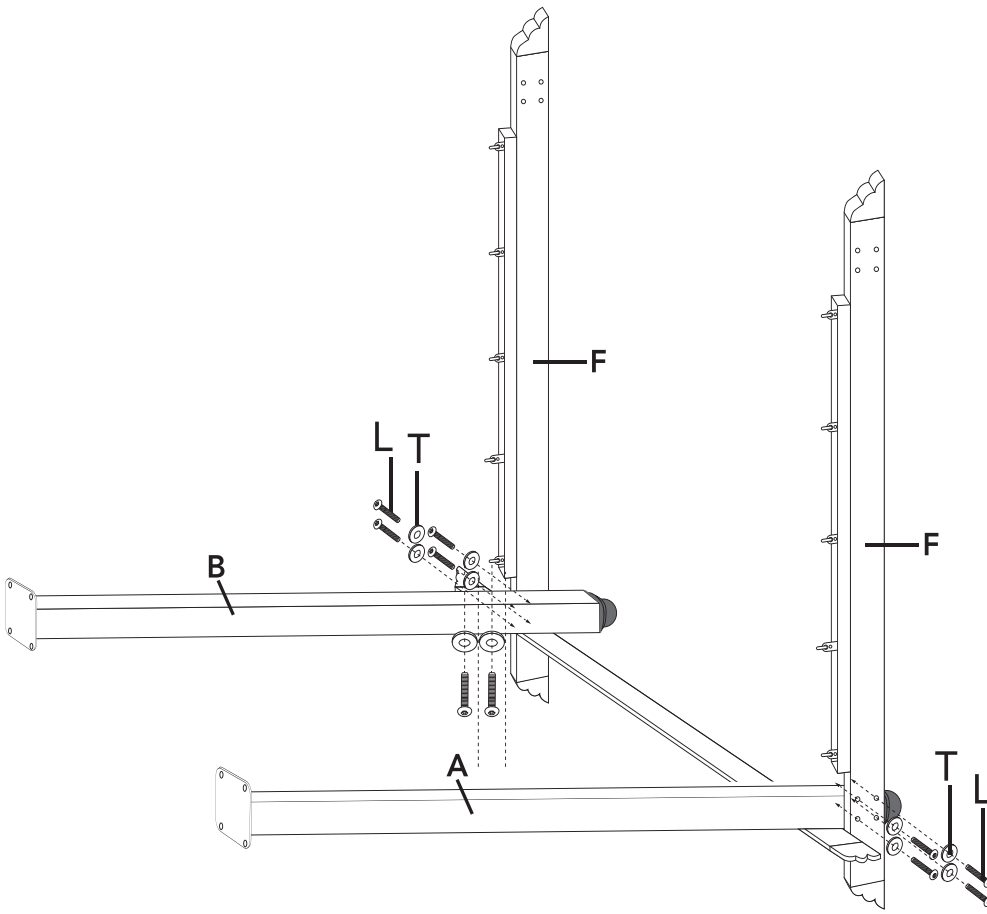
2



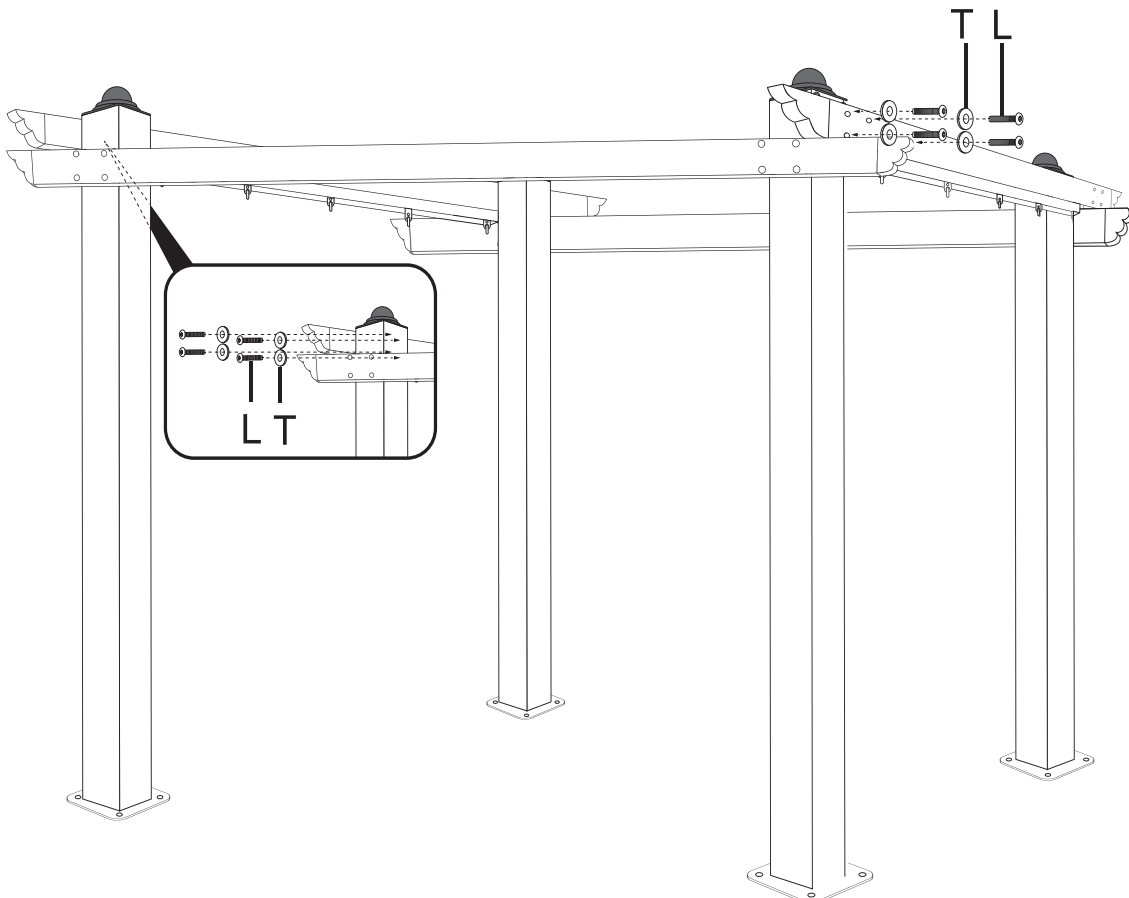
3



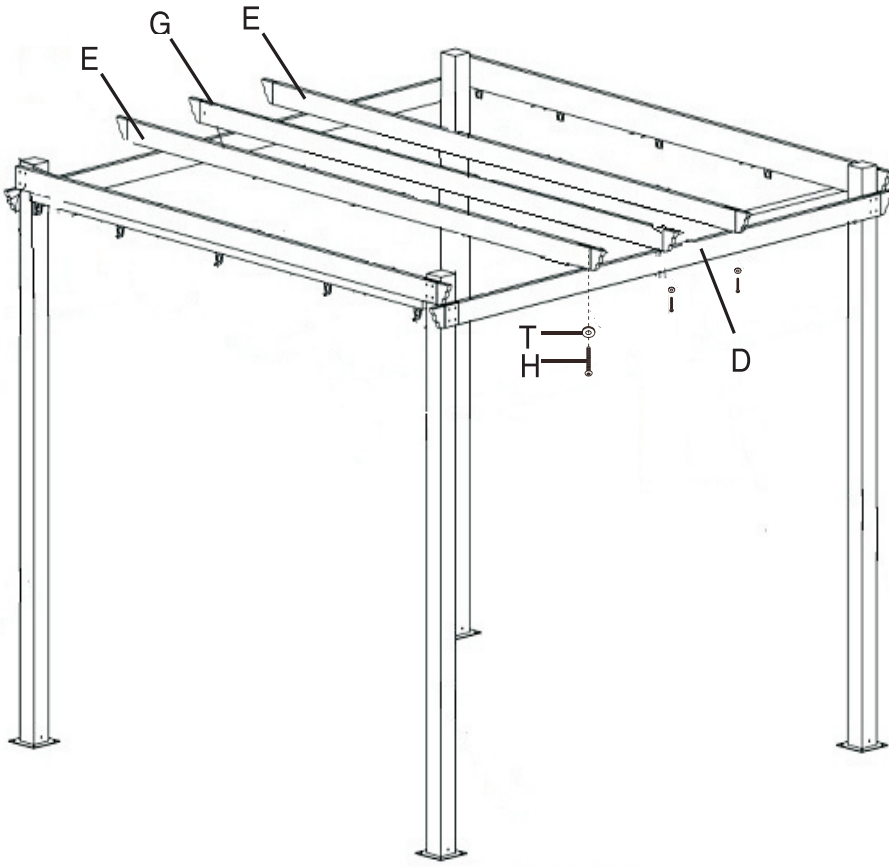
4



5



6



7

